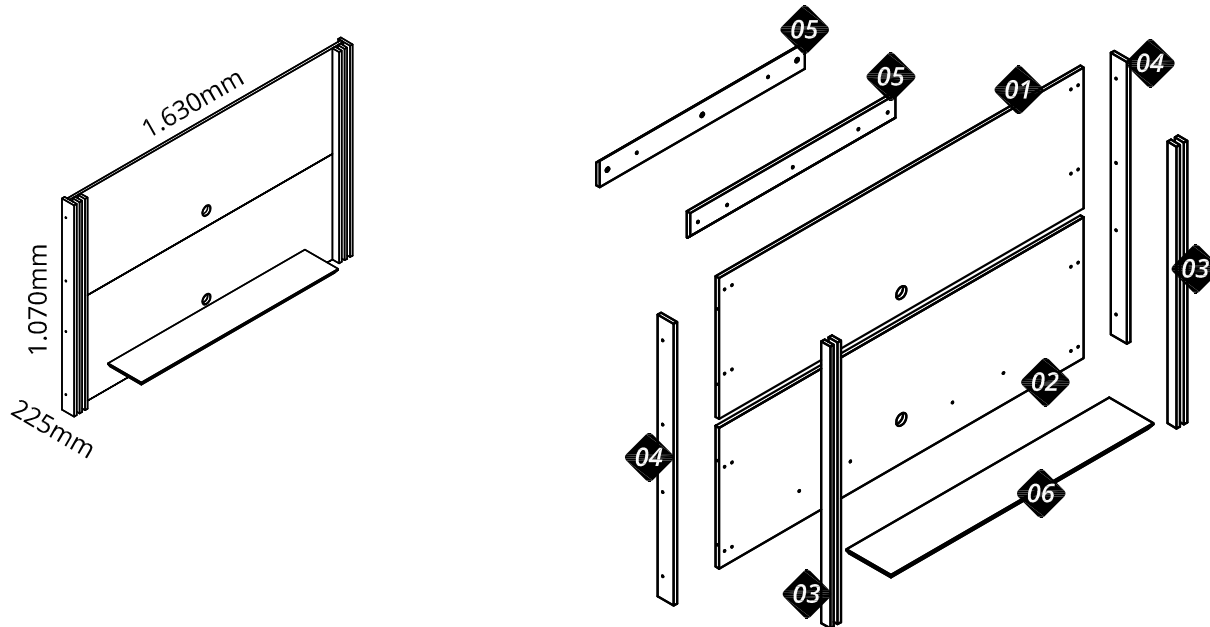


FLORIDA

painel | panel | panel

Manual de montagem | Manual de montaje | Assembly instructions



Nº	Cód.	Peças	Piezas	Parts	Medida / Size	Qtd.	Vol.
01	06704	Painel superior	Panel superior	Upper panel	1600x535x15	01	01
02	06705	Painel inferior	Panel inferior	Lower panel	1600x535x15	01	01
03	06706	Regua frontal	Acabado frontal	Front bar	1070x40x15	04	01
04	06707	Regua lateral	Acabado lateral	Lateral bar	1070x70x15	02	01
05	06708	Regua meia esquadria	Travesaño trasero	Rear bar	900x100x15	02	01
06	06709	Prateleira	Entrepaino	Shelf	1150x195x22	01	01

Acessórios e ferragens | Herrajes | Hardware

